

TEST PROBE KIT

Model TPK-03: For **61010** based STANDARDS




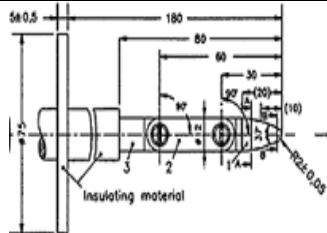

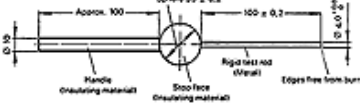

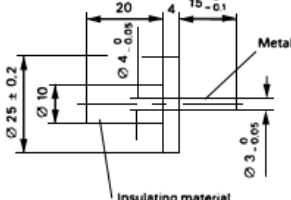
Test Probe Kits:

Several Different accessibility probe kits are available for specific standards. Kits can be created for other standards on request. Probe Kits offer substantial cost savings not to mention added convenience.

The TPK-03 contains the devices listed in the core of 61010 based requirements. It includes the following:

- IEC Jointed Finger Probe (w/ banana jack in handle) (TFP-01)
- Test Pin Probe (short) (TPP-01)
- Hazardous Live Parts Probe (HLP-01)
- Rigid Finger Probe (UFP-02)
- Preset Controls Probe (PCP-01)
- Ball Pressure Tester (BPT-01)

Also includes: custom-cut foam padded carrying case and NIST-traceable IEC/ISO 17025 **accredited** Certificate of Calibration - - with **specific Scope** for "Accessibility Probes"! Uncertainty measurement data is available separately.


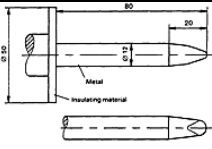

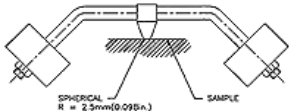

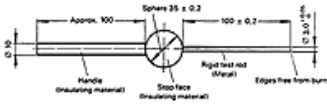
<p>TFP-01</p> 	 <p>Insulating material</p>	<p>This is the "International" test finger required by most IEC, EN and CSA Standards, in addition to many UL Standards. Built in strict accordance to the newest requirements - with integral palm simulator. This is the ONLY Finger Probe available with a integral jack in the handle for continuity testing - as mandated by the IEC CB Scheme. Finger made of chrome plated steel. All parts precision machined.</p>
<p>HLP-01</p> 	 <p>Handle (insulating material) Stop face (insulating material) Rigid test tip (stainless steel) Edges free from burrs</p>	<p>Used to verify protection against access to hazardous parts through top openings. Meets IEC, EN, UL and CSA Standards including IEC 1010, EN61010-1, UL3101-1, and CSA 1010-1. The handle and stop face are made of Delrin. The rod is made of stainless steel.</p>
<p>TPP-01</p> 	 <p>Insulating material Metal</p>	<p>Used to test accessibility through enclosure openings per IEC, EN, UL and CSA Standards. Body is Delrin, tip is stainless steel.</p>

Educated Design & Development, Inc. ("ED&D")

901 Sheldon Drive • Cary, NC • 27513 USA •

Phone: 800-806-6236 • International: 001-919-469-9434 • Fax: (919) 469-5743 •

email: info@productsafet.com • Home page: www.ProductSafeT.com.

<p>UFP-02</p> 		<p>Used for force applications on openings (i.e. vents) as required by IEC, EN, UL and CSA Standards. Handle made of Delrin, rigid finger made of chrome plated steel.</p>
<p>BPT-01</p> 		<p>For testing plastics to which hazardous voltage parts are mounted (i.e. terminal blacks, transformer bobbins, etc...) in accordance with most IEC, EN Standards and internationally harmonized UL and CSA Standards (950, 1010, 601, 335, etc.). The unit exerts 20N force on sample. Entirely stainless steel. NOTE - this test is required to be conducted in an oven at elevated ambient.</p>
<p>PCP-01</p> 		<p>Used to verify protection against access to hazardous parts by use of a tool through holes which give access to pre-set controls. Meets IEC, EN, UL and CSA Standards including IEC 1010, EN 61010-1, U- 3101-1, UL 3111-1 and CSA 1010-1. The handle and stop face are made of Delrin. The rod is stainless steel.</p>

NOTE: ED&D is the world's first and **only** ISO 17025 accredited firm to obtain specific Scope of Accreditation for the category "Accessibility Probes".

ED&D is accredited by the ANSI-ASQ National Accreditation Board under their brand "ACLASS"



Inc. 500 | 500

ED&D is recognized as the world's most highly awarded product safety test equipment manufacturer. ED&D is a multi-winner of the Deloitte & Touche Fast 50 award as well as an Inc. 5000 award winning company!



© ED&D, Inc. 2004 All rights reserved.

Educated Design & Development, Inc. ("ED&D")
 901 Sheldon Drive • Cary, NC • 27513 USA •
 Phone: 800-806-6236 • International: 001-919-469-9434 • Fax: (919) 469-5743 •
 email: info@productsafet.com • Home page: www.ProductSafeT.com.