

MULTI GLOSS 268/UNI GLOSS 60

(20°, 60°, 85°) (60°)

Makes its debut with more multifunction to achieve the effective gloss measurement.

- It has data compatibility with the previous MULTI GLOSS 268 / UNI GLOSS 60, and improves repeatability and reproducibility.

- Approx. 10,000 measurements are available with one AA(R6) size alkaline battery.

NEW PRODUCT

**Large screen size and easily viewable liquid crystal display.
Easy operation with mode scroll wheel.**

By operating the mode scroll wheel in accordance with easy-to-understand menu items, you can set a wide array of functions easily.



You can select Mode, Geometry selection, Difference, and Calibration from the Main Menu screen.

A wide array of display modes (corresponding to six languages)



You can measure by selecting Basic mode, Continuous, Statistics from the Mode screen.



You can select the measurement angle from the Geometry selection screen and display two angles or three angles at the same time. (MULTI GLOSS 268)

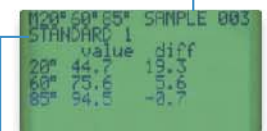
Wide measurement range that can be measured from plastic to metal surface with a high gloss finish: 0.0~2,000 GU (in the case of 20°)

The gloss difference measurement of the standard/sample and the PASS/FAIL evaluation.

You can make a pass/fail evaluation by setting the limit value. You can enter the sample name and the standard value name in the measurement result.



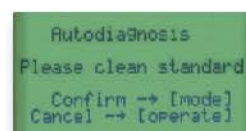
Geometric selection selected two angles. (MULTI GLOSS 268)



Geometric selection selected three angles. (MULTI GLOSS 268)

Autodiagnosis function of calibration

This means a little frequency of calibration and long-term stability. In addition, if the calibration is required, the message will be displayed.

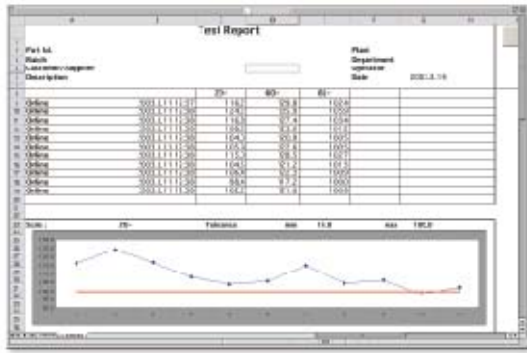


Calibrating standard



Protective holder

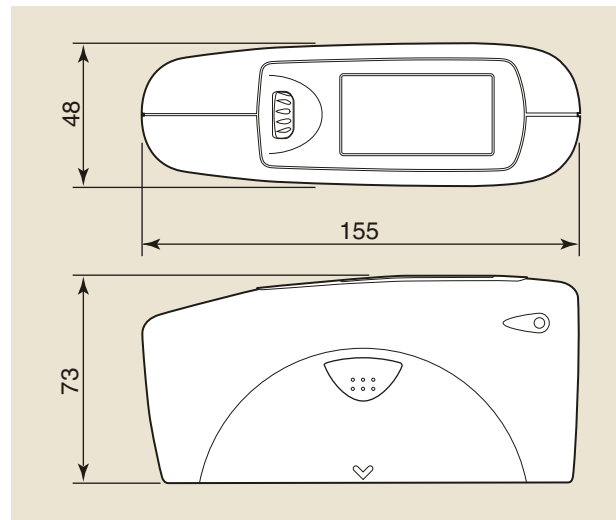
With dedicated Data transfer software (gloss-link), the data management such as data transfer to Excel® is easy.



Excel® is a trademark or registered trademark of Microsoft Corporation of America or its subsidiaries.

Dimensions

Units : mm



Specifications

Model	MULTI GLOSS 268	UNI GLOSS 60
Measurement geometry	20°, 60°, 85°	60°
Size of measurement spot	20° : 10 X 10 mm 60° : 9 X 15 mm 85° : 5 X 38 mm	60° : 9 X 15 mm
Standard compliance	ISO 2813, ISO 7668, ASTM D 523, ASTM D 2457, DIN 67 530, JIS Z 8741, BS 3900, BS 6161(Part 12)	
Measurement range	20° : 0.0~2,000 GU 60° : 0.0~1,000 GU 85° : 0.0~160 GU	60° : 0.0~1,000 GU
Resolution	0.0~99.9 GU : 0.1 GU 100~2,000 GU : 1 GU	
Measurement precision	[Repeatability] 0.0~99.9 GU : 0.2 GU 100~2,000 GU : 0.2% of reading [Reproducibility] 0.0~99.9 GU : 0.5 GU 100~2,000 GU : 0.5% of reading	
Memory	999 measurements with date and time	
Difference measurement	Memory for 50 standard	
Battery performance	Approx. 10,000 measurements (when using 1.5 V AA(R6)size alkaline battery)	
Measurement time	0.5 seconds (each measurement)	
Power OFF	Auto : 10~99 seconds select	
Languages	English, Spanish, German, French, Italian, Japanese	
Measurement mode	Normal mode (Sample mode, Statistics, Continuous, Basic mode), Difference mode	
Interface	RS-232C format	
Operating environment	Temperature : 15~40°C(59~104°F) Relative humidity : max 85%, No condensation	
Storage environment	Temperature : -10~60°C(14~140°F) Relative humidity : max 85%, No condensation	
Power supply	1.5 V AA(R6)size alkaline battery	
Dimensions	155(W) X 73(H) X 48(D) mm	
Weight	400 g	

Accessories

Model	MULTI GLOSS 268	UNI GLOSS 60
Standard accessories	Calibration holder TRI PC-cable Carrying case Data transfer software (gloss-link) 1.5 V AA(R6)size alkaline battery	Calibration holder 60°
Optional accessories	Checking standard TRI	Checking standard 60° Checking standard mirror USB-adapter

Note : The specifications described in this document are subject to change without notice.

MULTI GLOSS 268 / UNI GLOSS 60 conforms with international specifications ASTM D 523, DIN 67 530, ISO 2813.

ASTM DIN ISO



SAFETY PRECAUTIONS



To ensure correct use of the instrument, please adhere to the following.

- Before using the instrument, be sure to read the instruction manual.
- Always use the specified power. Use of inappropriate power may result in fire or electric shock.

Internet Home Page

USA: <http://www.minoltausa.com>
Europe: <http://www.minoltaeurope.com>
Japan: <http://www.minolta-rio.com>

Minolta Co.,Ltd.
Minolta Corporation / ISD
Minolta Canada Inc.
Minolta Europe GmbH
Minolta France S.A.
Minolta UK Limited
Minolta Austria Ges.m.b.H.
Minolta Camera Benelux B.V.
Minolta Schweiz AG
Minolta Italia s. r. l
Minolta Svenska AB
Minolta Hong Kong Limited
Shanghai Office
Minolta Singapore (Pte) Ltd.
Minolta Co.,Ltd. Seoul Office

101 Williams Drive, Ramsey, New Jersey 07446, U.S.A. Phone: 1-888-ISD-COLOR (in USA) , 201-529-6060 (outside) FAX: 201-529-6070
369 Britannia Road East Mississauga, Ontario L4Z 2H5, Canada Phone: 905-890-6600 FAX: 905-890-7199
Minoltring 11, 30855 Langenhagen, Germany Phone: 0511-74040 FAX: 0511-741050
365-367, Route de Saint-Germain, 78424 Carrières-Sur-Seine, France Phone: 01-30866161 FAX: 01-30866280
Precedent Drive, Rooksley Park, Milton Keynes, MK13 8HF, England Phone: 01-908200400 FAX: 01-908618662
Amalienstrasse 59-61, 1131 Wien, Austria Phone: 01-87882-222 FAX: 01-87882-180
Postbus 6000 3600 HA Maarsse, The Netherlands Phone: 00(31)-30-2470860 FAX: 00(31)-30-2470861
Riedstrasse 6, 8953 Dietikon, Switzerland Phone: 01-7403727 FAX: 01-7422350
Via Stephenson 37, 20157, Milano, Italy Phone: 02-39011-1 FAX: 02-39011-219
Albygatan 114 P.O.Box 9058 S-17109 Solna, Sweden Phone: 08-627-7650 FAX: 08-627-7685
Room 208, 2/F, Eastern Centre 1065 King's Road, Quarry Bay, Hong Kong, China Phone: 2565-8181 FAX: 2565-5601
Room 511, ChaoDai Business Centre 457 WuLuMuQi Road N. Shanghai, China Phone: 021-62494107 FAX: 021-62494109
10, Teban Gardens Crescent Singapore 608923 Phone: 563-5533 FAX: 561-9879
801, Chung-Jin Bldg., 475-22, BangBae-Dong, Seocho-ku, Seoul, Korea Phone: 02-523-9726 FAX: 02-523-9729